

# H.265 8HDD 40ch NVR



## S-NVR-5 Pro Series

### KEY FEATURES

#### HD Input

- S+265/H.265/H.264 video formats
- Connectable to the third-party network cameras
- Support live view, storage, and playback of the connected camera at up to 12MP resolution

#### HD Output

- HDMI and VGA independent outputs
- HDMI Video output at up to 4K resolution

#### HD Storage

- 8 SATA interface, up to 10TB for 1 HDD
- S+265 compression effectively reduces the storage space and costs by up to 75%

#### HD Transmission

- 2×RJ45 self-adaptive 10/100/1000 Mbps network interface

#### Various Applications

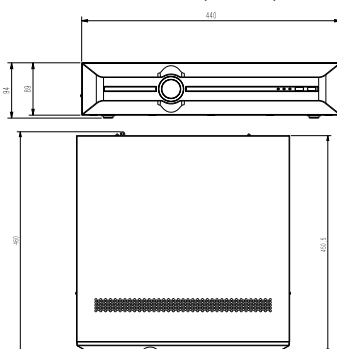
- Centralized management of IP cameras, including configuration, information import/export, real-time information display, upgrade, etc.
- Connectable to smart IP cameras from Secureeye and the recording, playing back, and backing up of VCA alarms can be realized
- VCA detection alarm is supported
- Web6 supports plug-in free browsing and can preview videos on all browsers
- Support cloud upgrade



## SPECIFICATIONS

Input	
Video Input	40-ch
Max Resolution	12MP
Two-way Audio Input	1-ch, 3.5mm
Bandwidth	640 MBPS
Output	
HDMI/VGA Output	HDMI 2-ch, 3840x2160, 1920x1080, 1280x720, 1024x768, 1366x768, 1440x900, 1280x800 VGA 1-ch, 1920x1080, 1280x720, 1024x768, 1366x768, 1440x900, 1280x800
Screen Split	1/2/3/4/5/6/7/8/9/10/12/13/16/20A/20B/25/32/36/40/64
Audio Output	1x3.5mm, 1xBNC
Decoding	
Decoding Format	S+265/H.265/H.264
Recording Resolution	12MP/8MP/6MP/5MP/4MP/3MP/1080P/UXGA/720P/VGA/4CIF/DCIF/2CIF/CIF/QCIF
Preview Capability	3x12MP, 4x8MP, 4x6MP, 6x5MP, 8x4MP, 9x3MP, 16x1080P, 32x720P, 64x4CIF
Synchronous Playback	3x12MP, 4x8MP, 4x6MP, 6x5MP, 8x4MP, 9x3MP, 16x1080P
Records Encryption	Yes
Hard Disk	
SATA	8 SATA interface for 8 HDDs
Capacity	Up to 10TB for each HDD
eSATA Interface	1 eSATA interface
Array Type	JBOD, RAID0/1/5/6/10
External Interface	
Network Interface	2xRJ45 self-adaptive 10/100/1000 Mbps network interface
USB Interface	2xUSB 2.0, 1xUSB 3.0
Serial Interface	2xRS485, 1xRS232
Alarm In/Out	16/4
Network	
Protocol	FTP, HTTP, HTTPS, TCP/IP, UDP, UPnP, ICMP, IGMP, DHCP, DNS, DDNS, EasyDDNS, NTP, SMTP, SSL, QoS, IPv4, IPv6, IP Filter, Telnet, SSH, RTSP, RTP, RTCP, ARP, SNMP(v1), PPPOE
System Compatibility	ONVIF (PROFILE S/T/G), SDK, P2P
General	
Web Version	Web6
Language	Simplified Chinese, Traditional Chinese, English, Spanish, Italian, Korean, Turkish, Russian, Thai, French, Hebrew, Polish, Dutch, Arabic, Vietnamese, German, Ukrainian
Operating Conditions	-10 ~ 55°C, 10%~90% RH
Power Supply	AC100~240V, 50/60HZ
Consumption (without HDD)	≤80W
Chassis	2U

DIMENSIONS (Unit: mm)



Physical Interfaces

