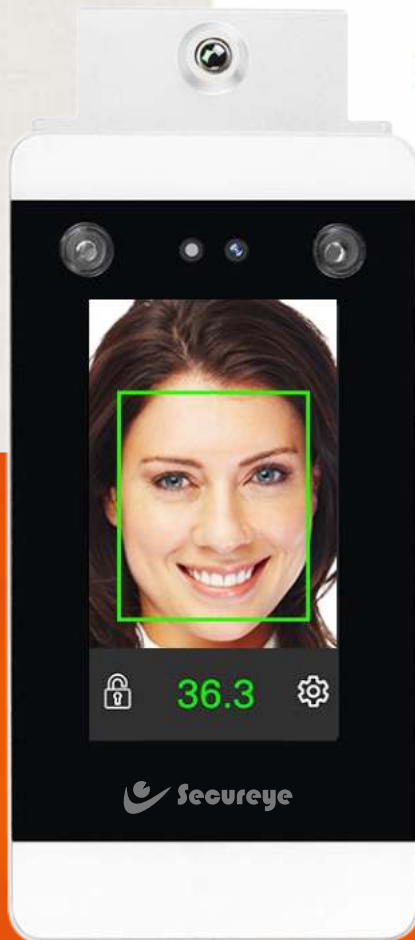




97.5F

S-BC70



36.3

## 5 IN 1 Dynamic Thermal Face Recognition



Face



Thermal



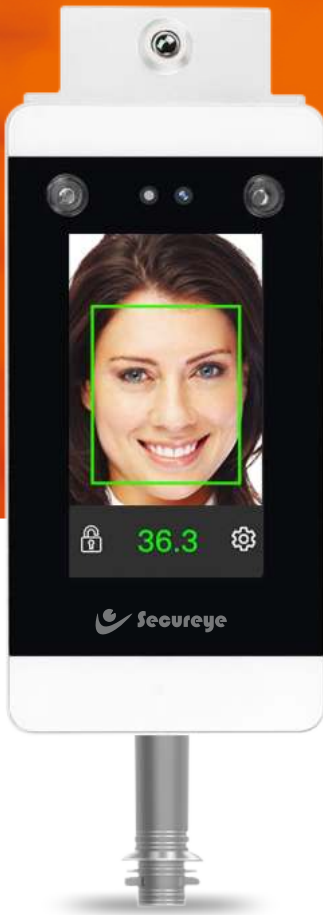
RFID Card



Mask



Access Control



**Cloud  
Supported**

**S-BC70**

**4.3 Inch Capacitive Touch Screen**

**High Accuracy Temperature Sensor - Melexis**

**Face Recognition Technology Based on Deep Learning Algorithm**

**Wide Dynamic Function, Can Recognize Human Face Under Strong Light**



**Masked Face Accepted**



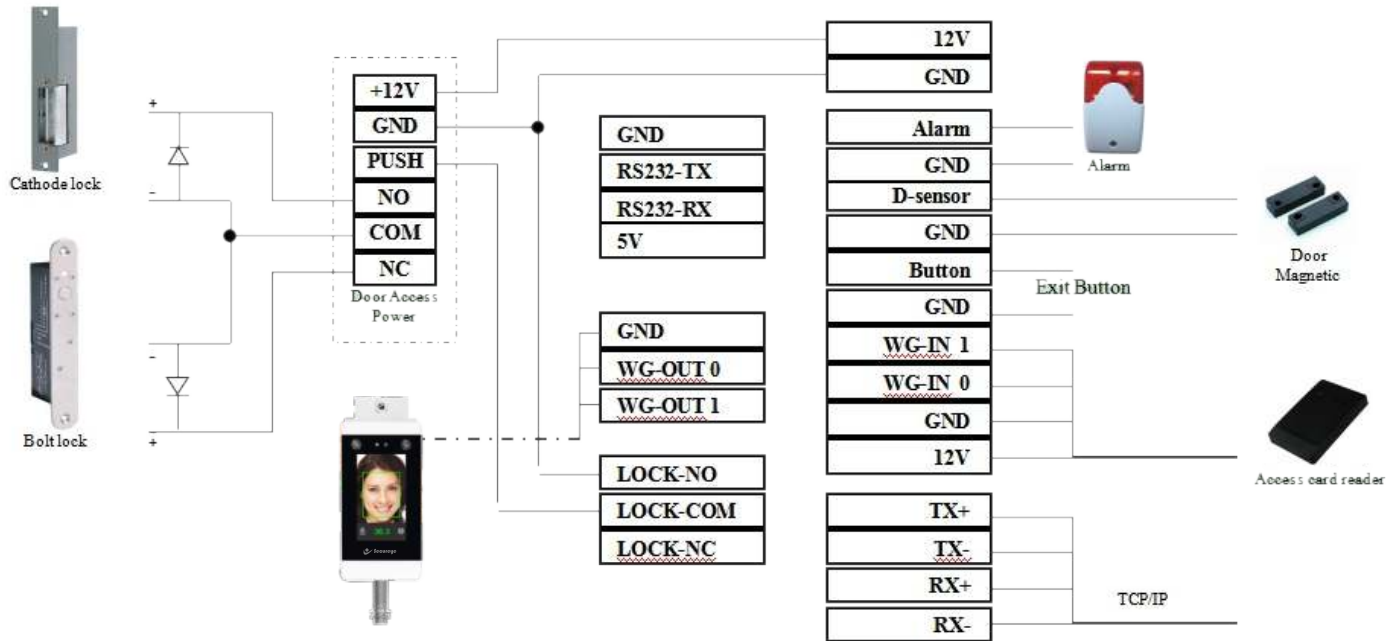
**Body Temperature Detected**



Specification	S-BC70
CPU	ARM Cortex-A7 Quad-core, 1.2G
Storage	1G DDR3 8G eMMC
OS	LINUX
Camera	Dual camera(High resolution infrared and color dual cameras)
IR LED	Yes
LCD	4.3 inch HD Touch Screen
Temperature Measurement	Yes
Touch Screen	Yes
Communication	TCP/IP,USB,U-disk, WIFI
Temperature Detection Distance	1m (the best distance is 0.5m)
Temperature Measurement Accuracy	≤ 0.3°C
Temperature Measurement Range	34°C ~ 39°C
Visitors Mode	Yes
Temperature Alarm	Support
Wearing Masks Detecting	Support
FRR	≤ 1%
FAR	≤ 0.0001%
USB Port	Yes
Voice	Yes
Clock RTC	Yes
Working Voltage	12V DC
Ambient Light	0-50000Lux
Working Temperature	0°C ~ 32°C
Working Humidity(rh)	20% ~ 80%
Software	
User Capacity	5000
Face Capacity	5000
Card Capacity	5000
Storage Capacity	1000000
Self-checking Function	Yes
Recognition Speed	0.3s
Face Intelligent Update Function	Yes
Recognition	1:1, 1:N
Wiegand input & output	
Door	Gate magnetic signal input
Alarm	Alarm output
Exit	Door switch signal input
Wiegand	1 group of WG26/34 input(External reader available), 1 group of WG26/34 output
Tamper Alarm	Yes
Relay	Japan Fujitsu relay
Circuit	Main board over pressure protection, anti - reverse protection, anti - lightning, anti - surge, etc



## Wiring Diagram



## Biometric Stand

